

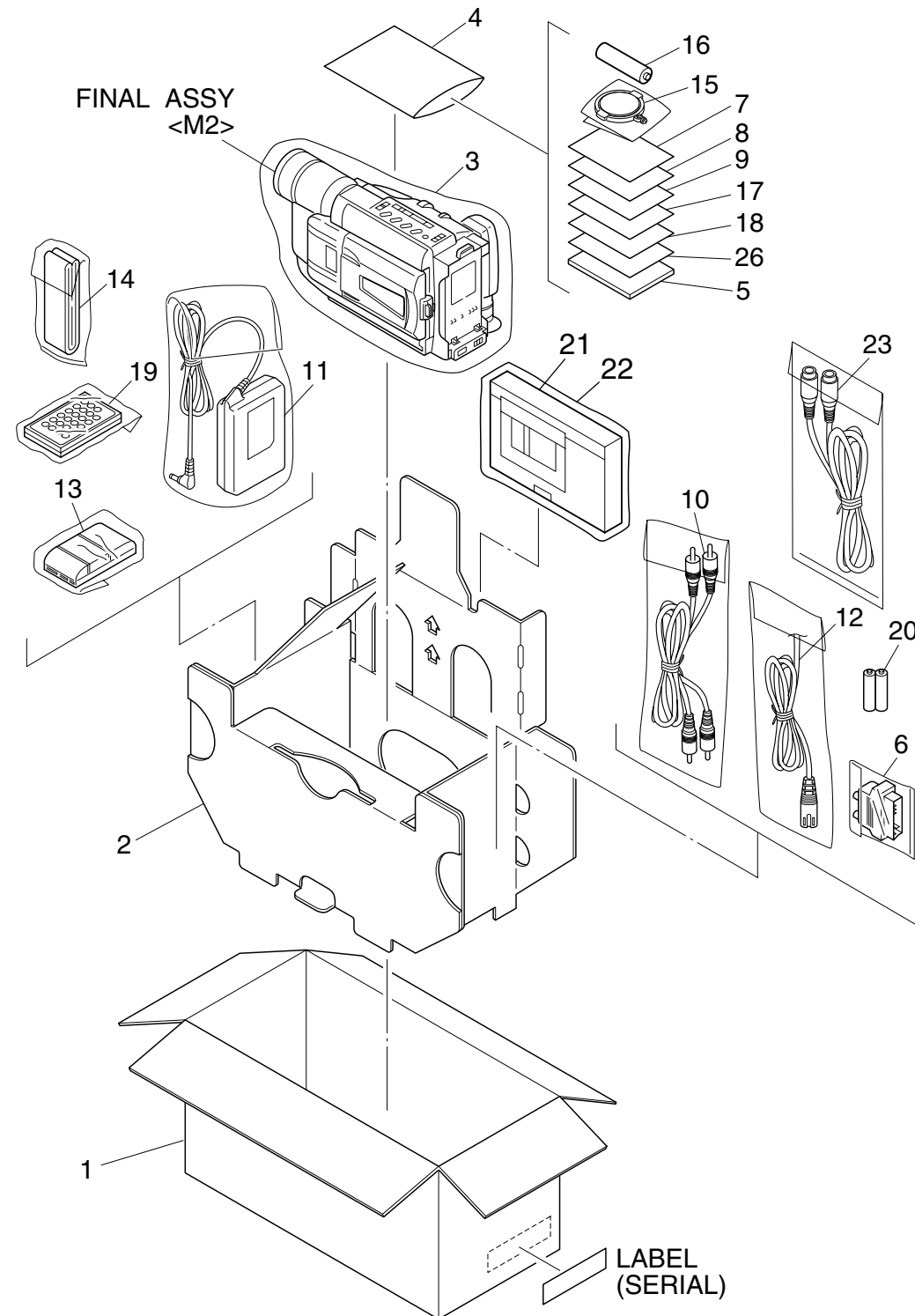
SECTION 5 PARTS LIST

SAFETY PRECAUTION

Parts identified by the \triangle symbol are critical for safety. Replace only with specified part numbers.

5.1 PACKING AND ACCESSORY ASSEMBLY <M1>

The instruction manual to be provided with this product will differ according to the destination.



\triangle REF No. PART No. PART NAME, DESCRIPTION

PACKING AND ACCESSORY ASSEMBLY <M1>

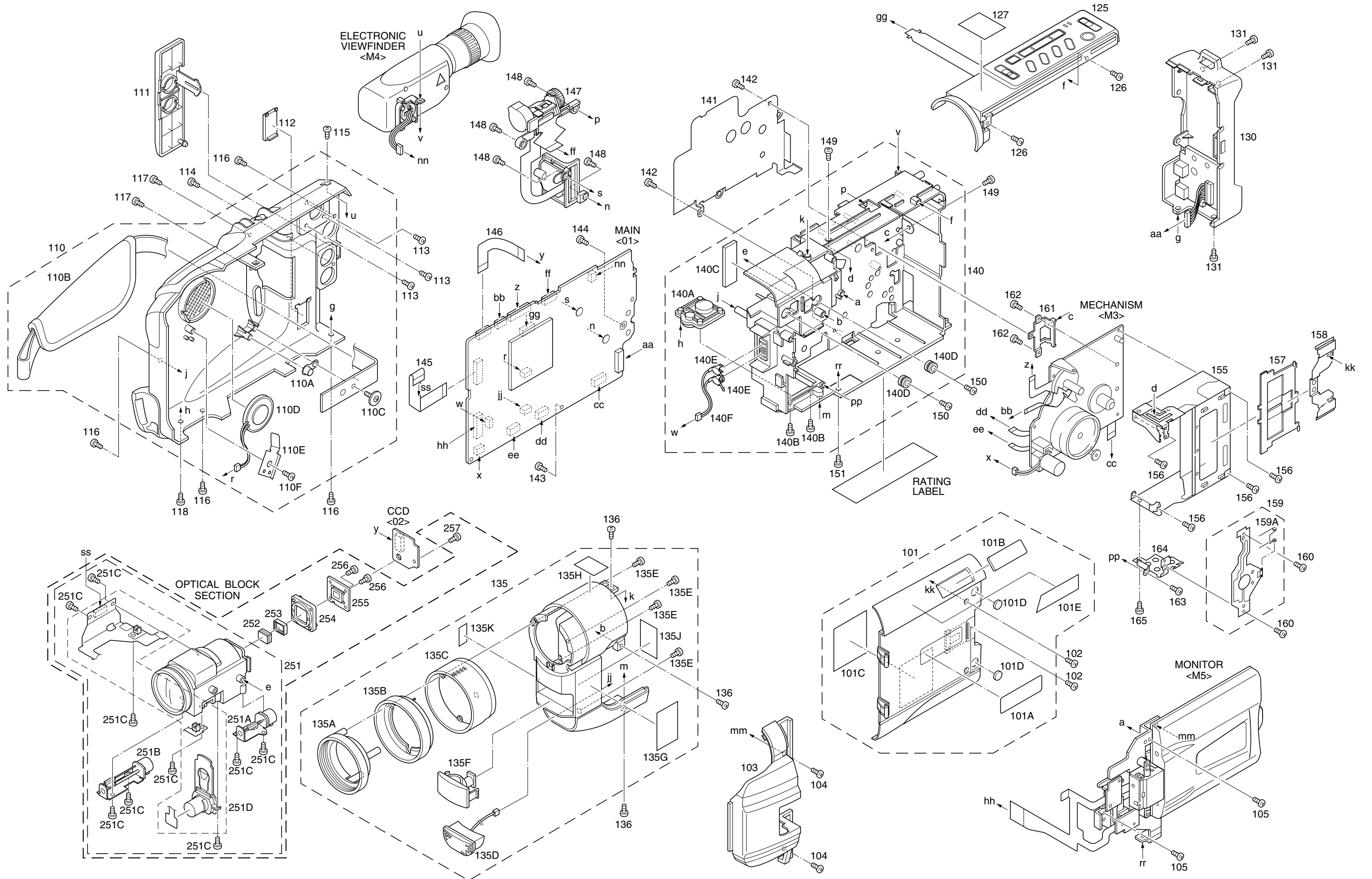
1	LY32545-002A	PACKING CASE,E,F,G,K,L
	LY32545-003A	PACKING CASE,A,B,C,D
	LY32563-001A	PACKING CASE,J
	LY32563-017A	PACKING CASE,H
2	LY32553-001A	CUSHION
3	LY30023-002A	POLY BAG
4	QPA02003506	POLY BAG,A,B,C,E,G,H,J,K,L
	YQM30061-3	POLY BAG,D,F
\triangle 5	LYT0860-002A	INST.BOOK(GE),B,K
\triangle	LYT0860-002B	INST.BOOK(GE),A,E
\triangle	LYT0860-003B	INST.BOOK(FR),A,E
\triangle	LYT0860-004B	INST.BOOK(DU),A,E
\triangle	LYT0860-005B	INST.BOOK(SP),A,E
\triangle	LYT0860-006B	INST.BOOK(IT),A,E
\triangle	LYT0860-007A	INST.BOOK(DA),B,K
\triangle	LYT0860-008A	INST.BOOK(FI),B,K
\triangle	LYT0860-009A	INST.BOOK(SW),B,K
\triangle	LYT0860-010A	INST.BOOK(NO),B,K
\triangle	LYT0860-011A	INST.BOOK(RU),C,L
\triangle	LYT0860-012A	INST.BOOK(CZ),C,L
\triangle	LYT0860-013A	INST.BOOK(PO),C,L
\triangle	LYT0860-014A	INST.BOOK(HU),C,L
\triangle	LYT0861-001B	INST.BOOK(EN),D,F
\triangle	LYT0868-001A	INST.BOOK(EN),G
\triangle	LYT0903-001A	INST.BOOK(EN),H,J
\triangle	LYT0903-002A	INST.BOOK(CH),H,J
\triangle	LYT0903-003A	INST.BOOK(RU),H,J
6	PEMC1174	CONNECTOR,CABLE ADAPTER,VC-V3595E,A,B,C,D,E,F,K,L
7	BT-54008-2	GUARANTY CARD,D,F
8	BT-54013-2	WARRANTY CARD,A,B,C,E,K,L
	BT-59011-2	WARRANTY CARD,H,J
	BT-56002-2	SER.NET CARD,G
9	PEAC0362-150	CABLE ASSY,AUDIO/VIDEO CABLE
\triangle 10	LY20847-001B	AC ADAPTER,AP-V12EG,A,B,C,E,G,K,L
\triangle	LY20847-001C	AC ADAPTER,AP-V12EG,D,F
\triangle	LY20847-002A	AC ADAPTER,AP-V12ED,H,J
\triangle 11	QMPH020-190-JR	POWER CORD,G
\triangle	QMPP110-190-JR	POWER CORD,D,F
\triangle	QMPS120-190-JR	POWER CORD,H,J
\triangle	QMPL120-190-JR	POWER CORD,A,B,C,E,K,L
\triangle 12	LY31199-001A	BATTERY PACK,BN-V20BU,G,H,J
\triangle	YQ10629E	BATTERY PACK,BN-V11U-E,A,B,C,D,E,F,K,L
13	LY20186-001A	SHOULDER STRAP
14	LY43388-001A	LENS CAP
15	-	BATTERY,AA(R6),G,H,J
16	BT-56001-2	WARRANTY CARD,G
17	BT-59012-1	GUARANTY CARD,H,J
18	LY42129-001A	REMOTE CONTROL UNIT,RM-V715U,J
19	-	BATTERY,AAA(R03),X2,J
20	YQ31963B-3	CASSETTE ADAPTER C-P7U,G,H,J
21	YQ43446	POLY BAG,G,H,J
22	QAM0004-003	S-VIDEO CABLE,E,F,K,L
23	LYT0194-001B	Q.CARD(JUK),D,F

MODEL	MARK
GR-FXM38EG-X	A
GR-FXM38EG-Y	B
GR-FXM38EG-Z	C
GR-FXM38EK	D
GR-SXM48EG-X	E
GR-SXM48EK	F
GR-SXM48EA	G
GR-SXM67ED	H
GR-SXM87ED	J
GR-SXM48EG-Y	K
GR-SXM48EG-Z	L

• INSTRUCTIONS

GE GERMAN
 FR FRENCH
 DU DUTCH
 SP SPANISH
 IT ITALIAN
 DA DANISH
 FI FINNISH
 SW SWEDISH
 NO NORWEGIAN
 RU RUSSIAN
 CZ CZECH
 PO POLISH
 HU HUNGARIAN
 EN ENGLISH
 CH CHINESE

5.2 FINAL ASSEMBLY <M2>



#	△ REF No.	PART No.	PART NAME, DESCRIPTION

FINAL ASSEMBLY <M2>			
		101	LY20694-002B CASSETTE COVER(M)ASSY,A,B,D,E,F,G,H,J,K
			LY20694-009A CASSETTE COVER(M)ASSY,C,L
		101A	LY40075-004A LABEL/CAUTION
		101B	LY42883-001A MARK
		101C	LY40559-001A SHIELD SHEET
		101D	LY40076-001A SPACER,X2
		101E	LY43537-001A STICKER(E),C,L
		102	QYSLSP2030D SCREW,X2
		103	LY10257-041A UPPER CASE(M),A,B,C,D
			LY10257-044A UPPER CASE(M),E,F,G,K,L
			LY10257-059A UPPER CASE(M),J
			LY10257-061A UPPER CASE(M),H
		104	QYSLSP2030D SCREW,X2
		105	QYSLSF2060D SCREW,X2
		110	LY20684-005A LOWER CASE ASSY,A,B,C,D
			LY20684-022A LOWER CASE ASSY,H
			LY20684-023A LOWER CASE ASSY,E,F,G,J,K,L
		110A	LY40081-001A CAP
		110B	LY20682-001A GRIP BELT
		110C	LY30018-003A SPECIAL SCREW
		110D	QAS0061-001 SPEAKER
		110E	LY42764-001B HOLDER(SPEAKER)
		110F	QYSLSF2050Z SCREW
		111	LY31945-003A COVER(JACK)
		112	LY31946-001A COVER(JIG)
		113	QYSLSF2050Z SCREW,X3
		114	QYSLSF2060D SCREW
		115	QYSLSF2060D SCREW
		116	QYSLSF2060D SCREW,X4
		117	QYSLSF2060D SCREW,X2
		118	QYSLSF2060D SCREW
		125	LY20614-002C TOP OPERATION UNIT,E,F,G,J,K,L
			LY20614-014C TOP OPERATION UNIT,A,B,C,D,H
		126	QYSLSF2060D SCREW,X2
		127	LY32061-006A STICKER(D),H,J
		130	LY20615-005F REAR UNIT,A,B,C,D,E,F,G,K,L
			LY20615-008B REAR UNIT,J
			LY20615-005E REAR UNIT,H
		131	QYSLSF2060D SCREW,X3
		135	LY20683-030A FRONT COVER ASSY,A,B,C,D,H
			LY20683-033A FRONT COVER ASSY,E,F,G,J,K,L
		135A	LY31937-001A HOOD
		135B	LY31938-001A COVER(HOOD)
		135C	LY31936-001A RING
		135D	LY32482-001A MICROPHONE
		135E	QYSLSF2060D SCREW,X4
		135F	LY30934-022A COVER(LIGHT),A,B,C,D,H
			LY32040-001A DC LIGHT,E,F,G,J,K,L
		135G	LY32058-001A STICKER(A),A,B,C,D,H
			LY32058-002A STICKER(A),E,F,G,J,K,L
		135H	LY32060-004A STICKER(C),E,F,G,J,K,L
			LY32060-005A STICKER(C),A,B,C,D,H
		135J	LY30029-0B4A SPACER(A),D,E,F,G,J,K,L
	△	135K	YQ44341-6 CAUTION LABEL,E,F,G,J,K,L
		136	QYSLSF2060D SCREW,X3
		140	LY20832-001B FRAME ASSY,E,F,G,J,K,L
			LY20832-002B FRAME ASSY,A,B,C,D,H
		140A	YQ31843 BASE
		140B	QYSLSF2060D SCREW,X2
		140C	LY30029-0A4A SPACER(A)
		140D	LY41082-001A CUSHION(OP),X2

#	△ REF No.	PART No.	PART NAME, DESCRIPTION
		140E	YQ43810-1-1 CONTACT(LIGHT),X2,E,F,G,J,K,L
		140F	WJM0259-001A E-SI C WIRE C-F.FRAME-MAIN CN6,E,F,G,J,K,L
		141	LY32327-001A SHIELD CASE(MAIN)
		142	QYSPSPU1720Z SCREW,X2
		143	QYSLSF2060D SCREW
		144	QYSLSF2060D SCREW
		145	WJT0072-001A E-CARD WIRE,OP-MAIN CN15
		146	QAL0389-001 FPC,MAIN CN22-CCD CN5301
		147	LY20613-001B ZOOM UNIT
		148	QYSLSF2060D SCREW,X4
		149	LY41173-001A SPECIAL SCREW,X2
		150	LY30018-050A SPECIAL SCREW,X2
		151	QYSLSP2030D SCREW
		155	LY31808-001C CASSETTE HOUSING FINAL ASSY
		156	LY42722-003A SCREW,X4
		157	LY30176-001A CASSETTE COVER INSIDE
		158	LY31956-001A BRACKET(CASSETTE COVER)
		159	LY31790-001A FRONT FRAME ASSY
		159A	YQ44144-1-1 TAPE GUIDE
		160	SPSH1725M SCREW,X2
		161	LY32326-001A BRACKET(MECHA)
		162	LY42722-003A SCREW,X2
		163	QYSLSF1750D SCREW
		164	LY31807-001A SIDE BRACKET L
		165	LY42722-003A SCREW

- OPTICAL BLOCK SECTION -

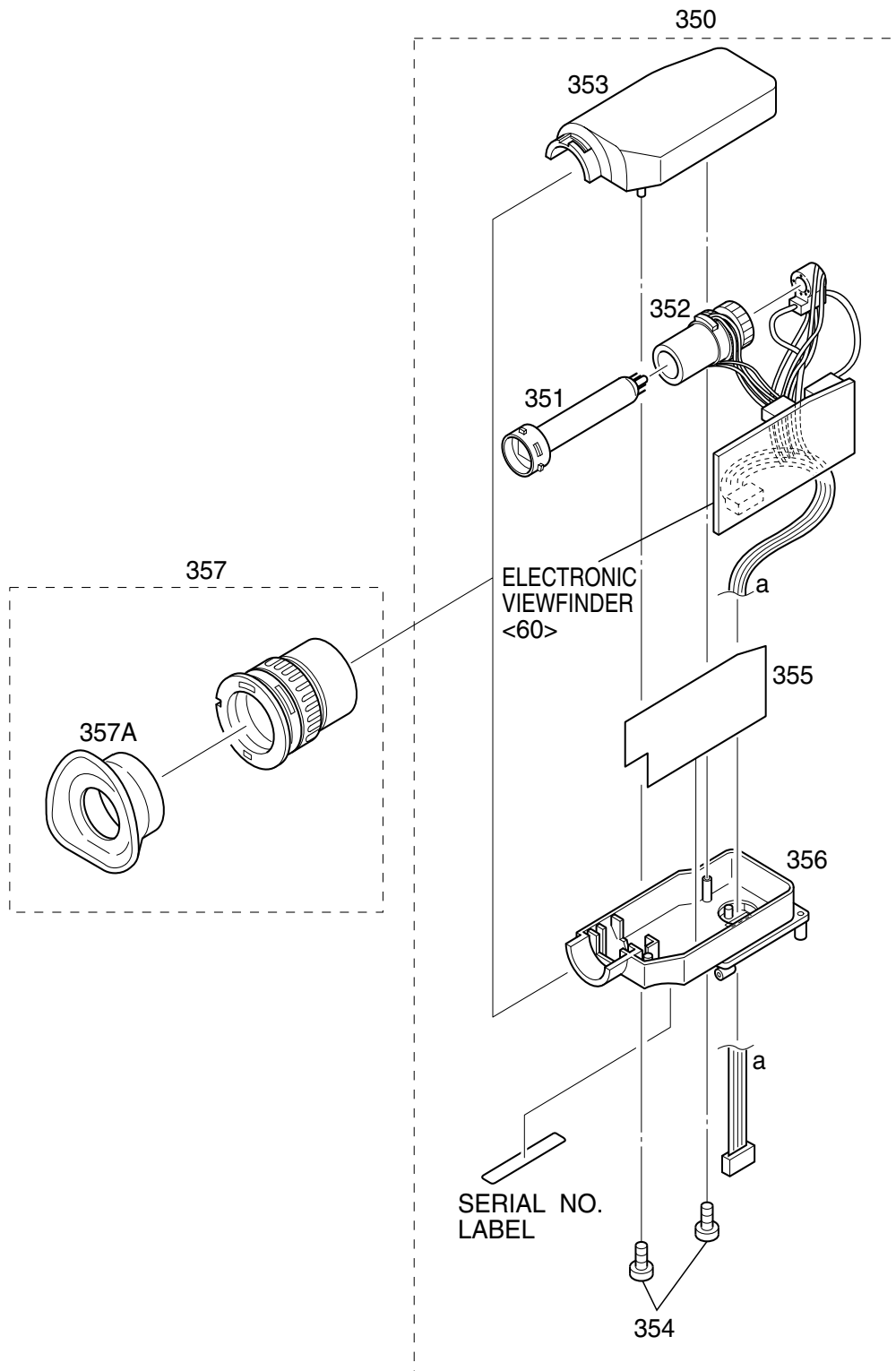
		251	LY30948-003A OP BLOCK ASSY
		251A	PTY30948-002 FOCUS MOTOR
		251B	PTY30948-301 ZOOM MOTOR
		251C	PTY30151-016 TAPPING SCREW,X9
		251D	PTY30948-006 IRIS MOTOR UNIT
		252	LY43383-001A OPTICAL LPF
		253	LY31370-001A SPACER RUBBER
		254	LY20497-001A CCD SPACER
		255	LYH30374-001A CCD BASE ASSY
		256	QYSPSGU2080Z SCREW,X2
		257	LY30018-072A SPECIAL SCREW

#	△ REF No.	PART No.	PART NAME, DESCRIPTION

MECHANISM ASSEMBLY <M3>			
400		YMA0033A-E	MECHA(B)ASSY,A,B,C,D
		YMA0034A-E	MECHA(B)ASSY,E,F,G,H,J,K,L
401		LY20612-001B	MAIN DECK ASSY
402		LY31817-001A	CASSETTE GUIDE(LEFT)
403		LY31815-001A	SW LEVER(LEFT)
404		LY42581-001A	TORSION SPRING
405		LY42722-001A	SCREW
406		YQ44339A-7	CASSETTE GUIDE ASSY(RIGHT),E,F,G,H,J,K,L
406A		YQ32162-1-3	SW.LEVER(RIGHT),E,F,G,H,J,K,L
406B		YQ44340-1-4	TORSION SPRING,E,F,G,H,J,K,L
407		LY42819-001A	SCREW,E,F,G,H,J,K,L
408		LY31826-001A	MOTOR BRACKET ASSY
409		YQ20793	WORM BRACKET
410		LY42722-001A	SCREW,X3
411		LY31925-001A	WHEEL GEAR
412		LY42730-001A	MIDDLE GEAR
413		LY42521-001A	CANCEL LEVER ASSY
414		LY42754-003A	SLIT WASHER,X2
415		YQ20827-2-1	CONTROL CAM
416		PQM30017-25	SLIT WASHER
417		LY42733-001A	LOADING GEAR(T)ASSY
418		LY42754-003A	SLIT WASHER
419		LY42732-001A	LOADING GEAR(S)ASSY
420		LY42754-003A	SLIT WASHER
421		LY42403-001A	COVER PLATE
422		LY42452-001A	LOADING RING ASSY
423		LY42728-001A	SCREW,X4
424		LY10239-001A	GUIDE RAIL
425		LY42728-001A	SCREW,X8
426		LY30161-001B	POLE BASE(S)ASSY
427		LY30162-002A	POLE BASE(T)ASSY
428		LY42523-001A	DRIVE LEVER ASSY
429		LY42545-001A	SLANT ARM ASSY
429A		LY42547-001A	TORSION SPRING(S)
430		LY42754-003A	SLIT WASHER
431		LY42739-003A	ROLLER BASE ASSY
432		LY42722-001A	SCREW
433		LY42494-001A	LINK ARM ASSY
434		PQM30017-25	SLIT WASHER
435		LY40018-002A	PINCH ROLLER ARM ASSY
436		PQM30017-25	SLIT WASHER
437		LY42541-001B	TAKE UP GUIDE ARM ASSY
438		LY42754-003A	SLIT WASHER
439		LY42571-001A	TENSION ARM ASSY
439A		LY42669-001A	TENSION SPRING
440		LY42754-003A	SLIT WASHER
441		YQ20797-1-5	MOTOR BASE
442		LY42722-001A	SCREW,X2
443		YQ44460	SCREW
444		QAR0212-001	CAPSTAN MOTOR
445		YQ44304	TAPPING SCREW,X3
446		LY42731-001A	SLANT POLE BASE ASSY
447		YQ44304	TAPPING SCREW
448		YQ43710-2	TIMING BELT
449		LY42678-001A	CENTER PULLEY UNIT
450		LY42722-002A	SCREW,X2
451		LY42670-001A	SUPPLY CLUTCH ASSY
452		LY42754-003A	SLIT WASHER
453		YQ31861-1-7	REEL DISC

#	△ REF No.	PART No.	PART NAME, DESCRIPTION
454		LY42755-001A	WASHER
455		LY31924-001A	TAKE UP GEAR
456		LY42738-001A	BRAKE SUB GEAR
457		LY42754-003A	SLIT WASHER,X3
458		LY42544-001B	A/C HEAD UNIT
459		SPSN1750Z	SCREW,X2
460		LY42517-001A	EJECT LEVER ASSY
461		LY42754-003A	SLIT WASHER
462		YQ31833-1-1	LED GUIDE
463		LY42722-001A	SCREW
464		LY42729-001A	DRUM SPACER
465		LY42722-001A	SCREW,X2
466		QSW0888-001	ROTARY ENCODER,A,B,C,D
		QSW0888-002	ROTARY ENCODER,E,F,G,H,J,K,L
467		LY42722-002A	SCREW,X4
468		LY31814-001A	LINK LEVER
469		YDV2099A	DRUM ASSY
469A		YDM1003-1-5	CATCHER
469B		QYSPSPU1735M	SCREW,X2
470		LY42722-001A	SCREW,X2
471		SPSH1740Z	SCREW,X2
472		LY43542-001A	BRUSH
473		LY42722-003A	SCREW

5.4 ELECTRONIC VIEWFINDER ASSEMBLY <M4>



Δ REF No. PART No. PART NAME, DESCRIPTION

ELECTRONIC VIEWFINDER ASSEMBLY <M4>

Δ 350	LY20701-009A	B/W VF ASSY
Δ 351	PEDP0193	CRT
Δ 352	QQD0026-001	DEFLECTION YOKE

# Δ REF No.	PART No.	PART NAME, DESCRIPTION
Δ 353	LY10165-001B	CASE(L)
Δ 354	QYSPSGU1760M	TAP SCREW,X2
Δ 355	LY41280-001A	SHEET(SHIELD)
Δ 356	PTY20701-011	BOTTOM CASE ASSY
Δ 357	PTY20374-201	LENS ASSY
Δ 357A	LY20411-001A	EYE CAP

5.6 ELECTRICAL PARTS LIST

MODEL	MARK	MODEL	MARK	MODEL	MARK
GR-FXM38EG-X	A	GR-SXM48EG-X	E	GR-SXM87ED	J
GR-FXM38EG-Y	B	GR-SXM48EK	F	GR-SXM48EG-Y	K
GR-FXM38EG-Z	C	GR-SXM48EA	G	GR-SXM48EG-Z	L
GR-FXM38EK	D	GR-SXM67ED	H		

#	△ REF No.	PART No.	PART NAME, DESCRIPTION

MAIN BOARD ASSEMBLY <01>			
PW1		YB10356EA1-01	MAIN BOARD ASSY,A,B,C,D
		YB10356EB1-01	MAIN BOARD ASSY,E,F,G,K,L
		YB10356EH1-01	MAIN BOARD ASSY,H
		YB10356EK1-01	MAIN BOARD ASSY,J
IC101		UPD703039-038	IC(μ C ROM)
		or UPD70F3040-038	IC(μ C ROM)
IC102		AT25080N-10SC-X	IC
		or CAT25C08SI	IC
		or X25170S8I-2.5-X	IC
		or 25LC080-I/SN-X	IC
IC103		RS5C314	IC
IC104		IC-PST3427U-X	IC
IC105		TC7S66FU	IC(DIGITAL),H,J
△ IC1601		LB11951WA-MPB	IC
IC1602		TA75S393F	IC
IC1801		PIC-26043S	IR DETECT UNIT,J
		or PIC-37043S	IR DETECT UNIT,J
IC2001		MC74AC04DT	IC
		or TC74AC04FT	IC(DIGITAL)
IC2401		NJM2149V	IC
IC3501		HA118224F	IC
IC4001		JCY0140-3	IC
IC4002		Z4C2973-32-X	IC,E,F,G,J,K,L
		or TMS4C2973-28-X	IC,E,F,G,J,K,L
IC4003		UPD6467GR-512-X	IC(μ C ROM)
IC4201		BA10324AF-XE	IC
IC4202		BA10324AF-XE	IC
IC4501		UPD16835AGS	IC
IC4701		MM1512XN	IC,A,B,C,D
IC4702		BA7665FS	IC,E,F,G,H,J,K,L
IC5201		HD49326BF	IC
IC5202		JCY0098	IC
IC6001		FA7706F	IC
IC6801		S-814A33AUC-W	IC
Q101		2SA1774/RS/-X	TRANSISTOR
		or 2SA1836/6-7/-X	TRANSISTOR
Q102		DTC144EE	TRANSISTOR
		or RN1104	TRANSISTOR
		or UN9213J	TRANSISTOR
Q103		2SC4617/QR/-X	TRANSISTOR
		or 2SC4783/5-6/-X	TRANSISTOR
Q104		DTC144EE	TRANSISTOR
		or RN1104	TRANSISTOR
		or UN9213J	TRANSISTOR
Q105		2SA1774/RS/-X	TRANSISTOR
		or 2SA1836/6-7/-X	TRANSISTOR
Q107		DTC144EE	TRANSISTOR,J
		or RN1104	TRANSISTOR,J
		or UN9213J	TRANSISTOR,J
Q108		DTC114EE	TRANSISTOR
		or RN1102	TRANSISTOR
		or UN9211J	TRANSISTOR
Q109		DTC114EE	TRANSISTOR
		or RN1102	TRANSISTOR
		or UN9211J	TRANSISTOR
Q1601		2SC4617/QR/-X	TRANSISTOR
		or 2SC4783/5-6/-X	TRANSISTOR
Q2001		DTA114TE	TRANSISTOR
Q2007		PUMX1	PAIR TRANSISTOR

#	△ REF No.	PART No.	PART NAME, DESCRIPTION
		or UMX1N	PAIR TRANSISTOR
		or HN1C01FU/G/-X	PAIR TRANSISTOR
Q2008		PUMT1	PAIR TRANSISTOR
		or HN1A01FU/G/-X	PAIR TRANSISTOR
Q2021		DTC144EE	TRANSISTOR
		or RN1104	TRANSISTOR
		or UN9213J	TRANSISTOR
Q2022		DTC144EE	TRANSISTOR
		or RN1104	TRANSISTOR
		or UN9213J	TRANSISTOR
Q2023		2SC4617/QR/-X	TRANSISTOR
		or 2SC4783/5-6/-X	TRANSISTOR
Q2071		2SC4617/QR/-X	TRANSISTOR
		or 2SC4783/5-6/-X	TRANSISTOR
Q2401		DTC144EE	TRANSISTOR
		or RN1104	TRANSISTOR
		or UN9213J	TRANSISTOR
Q3501		HN1C01FU/G/-X	PAIR TRANSISTOR
Q3502		HN1C01FU/G/-X	PAIR TRANSISTOR
Q3505		DTC144EE	TRANSISTOR,E,F,G,H,J,K,L
		or RN1104	TRANSISTOR,E,F,G,H,J,K,L
		or UN9213J	TRANSISTOR,E,F,G,H,J,K,L
Q3901		HN1A01FU/G/-X	PAIR TRANSISTOR
Q4001		DTC144EE	TRANSISTOR,E,F,G,H,J,K,L
		or RN1104	TRANSISTOR,E,F,G,H,J,K,L
		or UN9213J	TRANSISTOR,E,F,G,H,J,K,L
Q4201		2SC4617/QR/-X	TRANSISTOR
		or 2SC4783/5-6/-X	TRANSISTOR
Q4202		2SC4617/QR/-X	TRANSISTOR
		or 2SC4783/5-6/-X	TRANSISTOR
Q4251		RPM-22PB	PHOTO TRANSISTOR
Q4501		DTC114EE	TRANSISTOR
		or RN1102	TRANSISTOR
		or UN9211J	TRANSISTOR
Q4701		2SA1774/QR/-X	TRANSISTOR
		or 2SA1836/5-6/-X	TRANSISTOR
Q4702		2SA1774/QR/-X	TRANSISTOR
		or 2SA1836/5-6/-X	TRANSISTOR
Q6101		SSM5G01TU	MOS FET
Q6201		SSM5G01TU	MOS FET
Q6301		FDC6506P	MOS FET
Q6306		SSM3K02F	MOS FET,E,F,G,J,K,L
Q6401		SSM5G01TU	MOS FET
Q6501		SSM5G01TU	MOS FET
Q6608		DTC144EE	TRANSISTOR
		or RN1104	TRANSISTOR
		or UN9213J	TRANSISTOR
Q6701		TPC6102	MOS FET
Q6702		2SC4097/QR/-X	TRANSISTOR
		or 2SC4173/3-4/-X	TRANSISTOR
Q6802		DTA113ZUA	TRANSISTOR
Q6811		2SA1577/QR/-X	TRANSISTOR
		or 2SA1608/3-4/-X	TRANSISTOR
Q7011		PUMX1	PAIR TRANSISTOR
		or HN1C01FU/G/-X	PAIR TRANSISTOR
		or UMX1N	PAIR TRANSISTOR
Q7013		PUMX1	PAIR TRANSISTOR
		or UMX1N	PAIR TRANSISTOR
		or HN1C01FU/G/-X	PAIR TRANSISTOR
Q7015		PUMX1	PAIR TRANSISTOR
		or HN1C01FU/G/-X	PAIR TRANSISTOR
		or UMX1N	PAIR TRANSISTOR
Q7301		2SA1774/QR/-X	TRANSISTOR

#	△ REF No.	PART No.	PART NAME, DESCRIPTION	#	△ REF No.	PART No.	PART NAME, DESCRIPTION
		or 2SA1836/5-6/-X	TRANSISTOR	R162		NRSA63J-472X	MG RESISTOR 4.7kΩ, 1/16W
	Q7310	CPH3101	TRANSISTOR	R163		NRSA63J-103X	MG RESISTOR 10kΩ, 1/16W
	Q7311	2SC4617/QR/-X	TRANSISTOR	R164		NRSA63J-221X	MG RESISTOR 220Ω, 1/16W
		or 2SC4783/5-6/-X	TRANSISTOR	R165		NRSA63J-151X	MG RESISTOR 150Ω, 1/16W
△	D101	SB007W03Q	SB DIODE	R166		NRSA63J-105X	MG RESISTOR 1MΩ, 1/16W
	D102	UDZS7.5B	ZENER DIODE	R167		NRSA63J-183X	MG RESISTOR 18kΩ, 1/16W
	D103	1SS355	DIODE	R168		NRSA63J-562X	MG RESISTOR 5.6kΩ, 1/16W
	D104	1SS355	DIODE	R169		NRSA63J-331X	MG RESISTOR 330Ω, 1/16W
	D4001	DAN222	DIODE, E, F, G, H, J, K, L	R170		NRSA63J-333X	MG RESISTOR 33kΩ, 1/16W
	D5201	1SS355	DIODE	R171		NRSA63J-222X	MG RESISTOR 2.2kΩ, 1/16W
	D6301	MBR130	SB DIODE	R172		NRSA63J-222X	MG RESISTOR 2.2kΩ, 1/16W
	D6601	RB480Y	SB DIODE	R177		NRSA63J-183X	MG RESISTOR 18kΩ, 1/16W
	D6602	RB480Y	SB DIODE	R178		NRSA63J-562X	MG RESISTOR 5.6kΩ, 1/16W
	D6616	UDZS7.5B	ZENER DIODE	R181		NRSA63J-0R0X	MG RESISTOR 0Ω, 1/16W
	D6701	CRS09	SB DIODE	R183		NRSA63J-105X	MG RESISTOR 1MΩ, 1/16W
	D6702	CRS09	SB DIODE	R185		NRSA63J-0R0X	MG RESISTOR 0Ω, 1/16W
	R101	NRSA63J-104X	MG RESISTOR 100kΩ, 1/16W	R188		NRSA63J-472X	MG RESISTOR 4.7kΩ, 1/16W
	R102	NRSA63J-0R0X	MG RESISTOR 0Ω, 1/16W	R189		NRSA63J-331X	MG RESISTOR 330Ω, 1/16W
	R103	NRSA63J-0R0X	MG RESISTOR 0Ω, 1/16W	R190		NRSA63J-105X	MG RESISTOR 1MΩ, 1/16W
	R105	NRSA63J-103X	MG RESISTOR 10kΩ, 1/16W	R1601		NRV142F-R33X	CMF RESISTOR 0.33Ω, 1/4W
	R106	NRSA63J-102X	MG RESISTOR 1kΩ, 1/16W	R1602		NRV142F-R33X	CMF RESISTOR 0.33Ω, 1/4W
	R107	NRVA63D-153X	CMF RESISTOR 15kΩ, 1/16W	R1603		NRSA63J-153X	MG RESISTOR 15kΩ, 1/16W
	R108	NRVA63D-243X	CMF RESISTOR 24kΩ, 1/16W	R1604		NRSA63J-153X	MG RESISTOR 15kΩ, 1/16W
	R109	NRVA63D-183X	CMF RESISTOR 18kΩ, 1/16W	R1605		NRSA63J-102X	MG RESISTOR 1kΩ, 1/16W
	R110	NRSA63J-103X	MG RESISTOR 10kΩ, 1/16W	R1606		NRSA63J-104X	MG RESISTOR 100kΩ, 1/16W
	R111	NRSA63J-273X	MG RESISTOR 27kΩ, 1/16W	R1607		NRSA63J-471X	MG RESISTOR 470Ω, 1/16W
	R112	NRSA63J-331X	MG RESISTOR 330Ω, 1/16W	R1608		NRSA63J-154X	MG RESISTOR 150kΩ, 1/16W
	R113	NRSA63J-562X	MG RESISTOR 5.6kΩ, 1/16W	R1609		NRSA63J-471X	MG RESISTOR 470Ω, 1/16W
	R114	NRSA63J-821X	MG RESISTOR 820Ω, 1/16W	R1610		NRSA63J-104X	MG RESISTOR 100kΩ, 1/16W
	R115	NRSA63J-101X	MG RESISTOR 100Ω, 1/16W	R1611		NRSA63J-153X	MG RESISTOR 15kΩ, 1/16W
	R117	NRSA63J-102X	MG RESISTOR 1kΩ, 1/16W	R1612		NRSA63J-153X	MG RESISTOR 15kΩ, 1/16W
	R118	NRSA63J-103X	MG RESISTOR 10kΩ, 1/16W	R1613		NRSA63J-104X	MG RESISTOR 100kΩ, 1/16W
	R119	NRSA63J-103X	MG RESISTOR 10kΩ, 1/16W	R1615		NRSA63J-152X	MG RESISTOR 1.5kΩ, 1/16W
	R120	NRSA63J-273X	MG RESISTOR 27kΩ, 1/16W	R1616		NRSA63J-152X	MG RESISTOR 1.5kΩ, 1/16W
	R121	NRSA63J-273X	MG RESISTOR 27kΩ, 1/16W	R1617		NRSA63J-153X	MG RESISTOR 15kΩ, 1/16W
	R122	NRSA63J-393X	MG RESISTOR 39kΩ, 1/16W	R1618		NRSA63J-153X	MG RESISTOR 15kΩ, 1/16W
	R125	NRSA63J-273X	MG RESISTOR 27kΩ, 1/16W	R1619		NRSA63J-334X	MG RESISTOR 330kΩ, 1/16W
	R126	NRSA63J-153X	MG RESISTOR 15kΩ, 1/16W	R1620		NRSA63J-221X	MG RESISTOR 220Ω, 1/16W
	R127	NRSA63J-221X	MG RESISTOR 220Ω, 1/16W	R1621		NRSA63J-331X	MG RESISTOR 330Ω, 1/16W
	R128	NRSA63J-102X	MG RESISTOR 1kΩ, 1/16W	R1622		NRSA63J-221X	MG RESISTOR 220Ω, 1/16W
	R129	NRSA63J-102X	MG RESISTOR 1kΩ, 1/16W	R1623		NRSA63J-0R0X	MG RESISTOR 0Ω, 1/16W
	R130	NRSA63J-105X	MG RESISTOR 1MΩ, 1/16W	R1624		NRSA63J-333X	MG RESISTOR 33kΩ, 1/16W
	R136	NRSA63J-474X	MG RESISTOR 470kΩ, 1/16W	R1625		NRSA63J-123X	MG RESISTOR 12kΩ, 1/16W
	R138	NRSA63J-333X	MG RESISTOR 33kΩ, 1/16W	R1626		NRSA63J-103X	MG RESISTOR 10kΩ, 1/16W
	R139	NRSA63J-104X	MG RESISTOR 100kΩ, 1/16W	R1627		NRSA63J-223X	MG RESISTOR 22kΩ, 1/16W
	R140	NRSA63J-753X	MG RESISTOR 75kΩ, 1/16W	R1628		NRSA63J-103X	MG RESISTOR 10kΩ, 1/16W
	R141	NRSA63J-334X	MG RESISTOR 330kΩ, 1/16W	R2001		NRSA63J-104X	MG RESISTOR 100kΩ, 1/16W
	R142	NRSA63J-103X	MG RESISTOR 10kΩ, 1/16W	R2002		NRSA63J-332X	MG RESISTOR 3.3kΩ, 1/16W
	R143	NRSA63J-105X	MG RESISTOR 1MΩ, 1/16W	R2003		NRSA63J-102X	MG RESISTOR 1kΩ, 1/16W
	R144	NRSA63J-221X	MG RESISTOR 220Ω, 1/16W	R2004		NRSA63J-681X	MG RESISTOR 680Ω, 1/16W
	R145	NRSA63J-222X	MG RESISTOR 2.2kΩ, 1/16W	R2005		NRSA63J-272X	MG RESISTOR 2.7kΩ, 1/16W
	R146	NRSA63J-222X	MG RESISTOR 2.2kΩ, 1/16W	R2006		NRSA63J-102X	MG RESISTOR 1kΩ, 1/16W
	R147	NRSA63J-472X	MG RESISTOR 4.7kΩ, 1/16W	R2011		NRSA63J-101X	MG RESISTOR 100Ω, 1/16W
	R148	NRSA63J-222X	MG RESISTOR 2.2kΩ, 1/16W	R2012		NRSA63J-101X	MG RESISTOR 100Ω, 1/16W
	R149	NRSA63J-222X	MG RESISTOR 2.2kΩ, 1/16W	R2021		NRSA63J-103X	MG RESISTOR 10kΩ, 1/16W
	R150	NRSA63J-222X	MG RESISTOR 2.2kΩ, 1/16W	R2022		NRSA63J-334X	MG RESISTOR 330kΩ, 1/16W
	R151	NRSA63J-222X	MG RESISTOR 2.2kΩ, 1/16W	R2023		NRSA63J-820X	MG RESISTOR 82Ω, 1/16W
	R152	NRSA63J-474X	MG RESISTOR 470kΩ, 1/16W	R2024		NRSA63J-183X	MG RESISTOR 18kΩ, 1/16W
	R153	NRSA63J-474X	MG RESISTOR 470kΩ, 1/16W	R2025		NRSA63J-823X	MG RESISTOR 82kΩ, 1/16W
	R154	NRSA63J-222X	MG RESISTOR 2.2kΩ, 1/16W	R2027		NRSA63J-102X	MG RESISTOR 1kΩ, 1/16W
	R155	NRSA63J-104X	MG RESISTOR 100kΩ, 1/16W	R2028		NRSA63J-102X	MG RESISTOR 1kΩ, 1/16W
△	R156	NRSA63J-102X	MG RESISTOR 1kΩ, 1/16W	R2030		NRSA63J-104X	MG RESISTOR 100kΩ, 1/16W
	R157	NRSA63J-0R0X	MG RESISTOR 0Ω, 1/16W	R2031		NRSA63J-332X	MG RESISTOR 3.3kΩ, 1/16W

#	△ REF No.	PART No.	PART NAME, DESCRIPTION	#	△ REF No.	PART No.	PART NAME, DESCRIPTION
R2051		NRSA63J-102X	MG RESISTOR 1kΩ,1/16W	R4254		NRSA63J-684X	MG RESISTOR 680kΩ,1/16W
R2071		NRSA63J-473X	MG RESISTOR 47kΩ,1/16W	R4255		NRSA63J-222X	MG RESISTOR 2.2kΩ,1/16W
R2072		NRSA63J-562X	MG RESISTOR 5.6kΩ,1/16W	R4256		NRSA63J-824X	MG RESISTOR 820kΩ,1/16W
R2401		NRSA63J-392X	MG RESISTOR 3.9kΩ,1/16W	R4257		NRSA63J-822X	MG RESISTOR 8.2kΩ,1/16W
R2402		NRSA63J-332X	MG RESISTOR 3.3kΩ,1/16W	R4258		NRSA63J-104X	MG RESISTOR 100kΩ,1/16W
R2403		NRSA63J-103X	MG RESISTOR 10kΩ,1/16W	R4259		NRSA63J-683X	MG RESISTOR 68kΩ,1/16W
R3501		NRSA63J-221X	MG RESISTOR 220Ω,1/16W	R4262		NRSA63J-302X	MG RESISTOR 3kΩ,1/16W
R3502		NRSA63J-102X	MG RESISTOR 1kΩ,1/16W	△ R4501		NRSA63J-6R8X	MG RESISTOR 6.8Ω,1/16W
R3506		NRSA63J-102X	MG RESISTOR 1kΩ,1/16W	△ R4502		NRSA63J-6R8X	MG RESISTOR 6.8Ω,1/16W
R3507		NRSA63J-101X	MG RESISTOR 100Ω,1/16W	△ R4503		NRSA63J-6R8X	MG RESISTOR 6.8Ω,1/16W
R3508		NRSA63J-153X	MG RESISTOR 15kΩ,1/16W	△ R4504		NRSA63J-6R8X	MG RESISTOR 6.8Ω,1/16W
R3901		NRSA63J-100X	MG RESISTOR 10Ω,1/16W	R4505		NRSA63J-271X	MG RESISTOR 270Ω,1/16W
R3902		NRSA63J-101X	MG RESISTOR 100Ω,1/16W	R4507		NRSA63J-103X	MG RESISTOR 10kΩ,1/16W
R3903		NRSA63J-182X	MG RESISTOR 1.8kΩ,1/16W	R4508		NRSA63J-103X	MG RESISTOR 10kΩ,1/16W
R4001		NRSA63J-102X	MG RESISTOR 1kΩ,1/16W	R4512		NRSA63J-0R0X	MG RESISTOR 0Ω,1/16W
R4002		NRSA63J-105X	MG RESISTOR 1MΩ,1/16W	R4514		NRSA63J-223X	MG RESISTOR 22kΩ,1/16W
R4003		NRSA63J-563X	MG RESISTOR 56kΩ,1/16W	R4515		NRSA63J-182X	MG RESISTOR 1.8kΩ,1/16W
R4004		NRSA63D-153X	MG RESISTOR 15kΩ,1/16W	R4701		NRSA63D-112X	MG RESISTOR 1.1kΩ,1/16W
R4009		NRSA63D-153X	MG RESISTOR 15kΩ,1/16W	R4703		NRSA63J-681X	MG RESISTOR 680Ω,1/16W
R4010		NRSA63D-153X	MG RESISTOR 15kΩ,1/16W	R4704		NRSA63J-122X	MG RESISTOR 1.2kΩ,1/16W
R4013		NRSA63J-102X	MG RESISTOR,E,F,G,H,J,K,L 1kΩ,1/16W	R4706		NRSA63D-680X	MG RESISTOR 68Ω,1/16W
R4014		NRSA63J-103X	MG RESISTOR,E,F,G,H,J,K,L 10kΩ,1/16W	R4707		NRSA63D-751X	MG RESISTOR 750Ω,1/16W
R4015		NRSA63J-0R0X	MG RESISTOR 0Ω,1/16W	R4709		NRSA63J-681X	MG RESISTOR 680Ω,1/16W
R4019		NRSA63D-822X	MG RESISTOR 8.2kΩ,1/16W	R4710		NRSA63J-122X	MG RESISTOR 1.2kΩ,1/16W
R4020		NRSA63D-471X	MG RESISTOR 470Ω,1/16W	R4712		NRSA63D-680X	MG RESISTOR,E,F,G,H,J,K,L 68Ω,1/16W
R4021		NRSA63D-181X	MG RESISTOR 180Ω,1/16W	R4713		NRSA63D-680X	MG RESISTOR,E,F,G,H,J,K,L 68Ω,1/16W
R4022		NRSA63D-182X	MG RESISTOR 1.8kΩ,1/16W	R5201		NRSA63J-243X	MG RESISTOR 24kΩ,1/16W
R4025		NRSA63D-222X	MG RESISTOR 2.2kΩ,1/16W	R5202		NRSA63J-220X	MG RESISTOR 22Ω,1/16W
R4026		NRSA63J-563X	MG RESISTOR 56kΩ,1/16W	R5213		NRSA63J-101X	MG RESISTOR 100Ω,1/16W
R4027		NRSA63J-104X	MG RESISTOR 100kΩ,1/16W	R5214		NRSA63J-101X	MG RESISTOR 100Ω,1/16W
R4028		NRSA63J-104X	MG RESISTOR 100kΩ,1/16W	R5215		NRSA63J-104X	MG RESISTOR 100kΩ,1/16W
R4029		NRSA63J-104X	MG RESISTOR 100kΩ,1/16W	R5216		NRSA63J-100X	MG RESISTOR 10Ω,1/16W
R4030		NRSA63J-102X	MG RESISTOR,H,J 1kΩ,1/16W	R5217		NRSA63J-104X	MG RESISTOR 100kΩ,1/16W
R4031		NRSA63J-102X	MG RESISTOR,H,J 1kΩ,1/16W	R6001		NRSA63J-104X	MG RESISTOR 100kΩ,1/16W
R4032		NRSA63J-0R0X	MG RESISTOR 0Ω,1/16W	R6002		NRSA63J-333X	MG RESISTOR 33kΩ,1/16W
R4033		NRSA63J-392X	MG RESISTOR 3.9kΩ,1/16W	R6003		NRVA63D-912X	CMF RESISTOR 9.1kΩ,1/16W
R4034		NRSA63J-332X	MG RESISTOR 3.3kΩ,1/16W	R6004		NRVA63D-681X	CMF RESISTOR 680Ω,1/16W
R4035		NRSA63J-332X	MG RESISTOR 3.3kΩ,1/16W	R6005		NRVA63D-203X	CMF RESISTOR 20kΩ,1/16W
R4201		NRSA63J-103X	MG RESISTOR 10kΩ,1/16W	R6008		NRVA63D-103X	CMF RESISTOR 10kΩ,1/16W
R4202		NRSA63J-0R0X	MG RESISTOR 0Ω,1/16W	R6012		NRSA63J-103X	MG RESISTOR 10kΩ,1/16W
R4203		NRSA63J-223X	MG RESISTOR 22kΩ,1/16W	R6015		NRSA63J-104X	MG RESISTOR 100kΩ,1/16W
R4204		NRSA63J-331X	MG RESISTOR 330Ω,1/16W	R6021		NRSA63J-222X	MG RESISTOR 2.2kΩ,1/16W
R4205		NRSA63J-105X	MG RESISTOR 1MΩ,1/16W	R6024		NRSA63J-224X	MG RESISTOR 220kΩ,1/16W
R4206		NRSA63J-103X	MG RESISTOR 10kΩ,1/16W	R6025		NRSA63J-104X	MG RESISTOR 100kΩ,1/16W
R4207		NRSA63J-104X	MG RESISTOR 100kΩ,1/16W	R6026		NRSA63J-104X	MG RESISTOR 100kΩ,1/16W
R4208		NRSA63J-472X	MG RESISTOR 4.7kΩ,1/16W	R6027		NRSA63J-104X	MG RESISTOR 100kΩ,1/16W
R4209		NRSA63J-104X	MG RESISTOR 100kΩ,1/16W	R6028		NRSA63J-104X	MG RESISTOR 100kΩ,1/16W
R4210		NRSA63J-105X	MG RESISTOR 1MΩ,1/16W	R6029		NRSA63J-104X	MG RESISTOR 100kΩ,1/16W
R4211		NRSA63J-243X	MG RESISTOR 24kΩ,1/16W	R6103		NRVA63D-223X	CMF RESISTOR 22kΩ,1/16W
R4214		NRSA63J-472X	MG RESISTOR 4.7kΩ,1/16W	R6104		NRVA63D-103X	CMF RESISTOR 10kΩ,1/16W
R4215		NRSA63J-683X	MG RESISTOR 68kΩ,1/16W	R6203		NRVA63D-103X	CMF RESISTOR 10kΩ,1/16W
R4216		NRSA63J-103X	MG RESISTOR 10kΩ,1/16W	R6204		NRVA63D-123X	CMF RESISTOR 12kΩ,1/16W
R4217		NRSA63J-102X	MG RESISTOR 1kΩ,1/16W	R6303		NRVA63D-183X	CMF RESISTOR 18kΩ,1/16W
R4218		NRSA63J-102X	MG RESISTOR 1kΩ,1/16W	R6304		NRVA63D-472X	CMF RESISTOR 4.7kΩ,1/16W
R4219		NRSA63J-104X	MG RESISTOR 100kΩ,1/16W	R6306		NRS12BK-R47W	MG RESISTOR,E,F,G,J,K,L 0.47Ω,1/2W
R4220		NRSA63J-152X	MG RESISTOR 1.5kΩ,1/16W	R6307		NRSA63J-104X	MG RESISTOR,E,F,G,J,K,L 100kΩ,1/16W
R4221		NRSA63J-334X	MG RESISTOR 330kΩ,1/16W	R6401		NRSA63J-0R0X	MG RESISTOR 0Ω,1/16W
R4222		NRSA63J-154X	MG RESISTOR 150kΩ,1/16W	R6501		NRSA63J-0R0X	MG RESISTOR 0Ω,1/16W
R4223		NRSA63J-333X	MG RESISTOR 33kΩ,1/16W	R6502		NRSA63J-471X	MG RESISTOR 470Ω,1/16W
R4224		NRSA63J-223X	MG RESISTOR 22kΩ,1/16W	R6603		NRVA63D-683X	CMF RESISTOR 68kΩ,1/16W
R4251		NRSA63J-182X	MG RESISTOR 1.8kΩ,1/16W	R6604		NRVA63D-392X	CMF RESISTOR 3.9kΩ,1/16W
R4252		NRSA63J-103X	MG RESISTOR 10kΩ,1/16W	R6605		NRSA63J-274X	MG RESISTOR 270kΩ,1/16W
R4253		NRSA63J-103X	MG RESISTOR 10kΩ,1/16W	R6606		NRSA63J-272X	MG RESISTOR 2.7kΩ,1/16W

#	△	REF No.	PART No.	PART NAME, DESCRIPTION		#	△	REF No.	PART No.	PART NAME, DESCRIPTION	
R6612			NRSA63J-823X	MG RESISTOR	82kΩ,1/16W	C112			NEA70JM-226X	E CAPACITOR	22μF,6.3V
R6613			NRSA63J-104X	MG RESISTOR	100kΩ,1/16W	C113			NCB31EK-103X	CAPACITOR	0.01μF,25V
R6614			NRSA63J-153X	MG RESISTOR	15kΩ,1/16W	C114			NCB31EK-103X	CAPACITOR	0.01μF,25V
R6616			NRSA63J-102X	MG RESISTOR	1kΩ,1/16W	C115			NCF31EZ-104X	CAPACITOR	0.1μF,25V
R6702			NRSA63J-330X	MG RESISTOR	33Ω,1/16W	C116			NCB31EK-103X	CAPACITOR	0.01μF,25V
R6704			NRVA63D-123X	CMF RESISTOR	12kΩ,1/16W	C118			NCF31EZ-104X	CAPACITOR	0.1μF,25V
R6706			NRZ0058-R20X	MG RESISTOR	0.2Ω,1/2W	C119			NCB31EK-103X	CAPACITOR	0.01μF,25V
R6707			NRS016J-121X	MG RESISTOR	120Ω,1W	C120			NCB31EK-103X	CAPACITOR	0.01μF,25V
R6708			NRS016J-121X	MG RESISTOR	120Ω,1W	C121			NCF31EZ-104X	CAPACITOR	0.1μF,25V
R6709			NRS016J-121X	MG RESISTOR	120Ω,1W	C122			NCF31EZ-104X	CAPACITOR	0.1μF,25V
R6710			NRVA63D-823X	CMF RESISTOR	82kΩ,1/16W	C123			NDC31HJ-100X	CAPACITOR	10pF,50V
R6711			NRVA63D-333X	CMF RESISTOR	33kΩ,1/16W	C124			NDC31HJ-100X	CAPACITOR	10pF,50V
R6713			NRSA63J-562X	MG RESISTOR	5.6kΩ,1/16W	C125			NCB31EK-103X	CAPACITOR	0.01μF,25V
R6715			NRSA63J-222X	MG RESISTOR	2.2kΩ,1/16W	C126			NDC31HJ-100X	CAPACITOR	10pF,50V
R6801			NRSA63J-0R0X	MG RESISTOR	0Ω,1/16W	C127			NCB31CK-333X	CAPACITOR	0.033μF,16V
R6802			NRSA63J-104X	MG RESISTOR	100kΩ,1/16W	C128			NCB21CK-474X	CAPACITOR	0.47μF,16V
R6811			NRSA63J-101X	MG RESISTOR	100Ω,1/16W	C129			NCB31CK-333X	CAPACITOR	0.033μF,16V
R6812			NRSA63J-222X	MG RESISTOR	2.2kΩ,1/16W	C131			NCF31EZ-104X	CAPACITOR	0.1μF,25V
R6961			NRSA63J-223X	MG RESISTOR	22kΩ,1/16W	C132			NCF31EZ-104X	CAPACITOR	0.1μF,25V
R7077			NRVA63D-123X	CMF RESISTOR	12kΩ,1/16W	C133			NCF31EZ-104X	CAPACITOR	0.1μF,25V
R7086			NRVA63D-123X	CMF RESISTOR	12kΩ,1/16W	C134			NCF31EZ-104X	CAPACITOR	0.1μF,25V
R7091			NRVA63D-123X	CMF RESISTOR	12kΩ,1/16W	C138			NCB31EK-103X	CAPACITOR	0.01μF,25V
R7096			NRVA63D-123X	CMF RESISTOR	12kΩ,1/16W	C142			NCB31CK-104X	CAPACITOR	0.1μF,16V
R7110			NRSA63J-105X	MG RESISTOR	1MΩ,1/16W	C143			NDC31HJ-3R0X	CAPACITOR	3pF,50V
R7112			NRVA63D-332X	CMF RESISTOR	3.3kΩ,1/16W	C1201			NCB31HK-102X	CAPACITOR	0.001μF,50V
R7114			NRVA63D-223X	CMF RESISTOR	22kΩ,1/16W	C1202			NBE20JM-106X	T CAPACITOR	10μF,6.3V
R7116			NRVA63D-332X	CMF RESISTOR	3.3kΩ,1/16W	C1205			NCB31EK-153X	CAPACITOR	0.015μF,25V
R7118			NRVA63D-223X	CMF RESISTOR	22kΩ,1/16W	C1206			NBE20JM-106X	T CAPACITOR	10μF,6.3V
R7120			NRVA63D-332X	CMF RESISTOR	3.3kΩ,1/16W	C1601			NCB21EK-104X	CAPACITOR	0.1μF,25V
R7122			NRVA63D-223X	CMF RESISTOR	22kΩ,1/16W	C1602			NCB30JK-105X	CAPACITOR	1μF,6.3V
R7124			NRVA63D-103X	CMF RESISTOR	10kΩ,1/16W	C1603			NCB31EK-103X	CAPACITOR	0.01μF,25V
R7127			NRVA63D-103X	CMF RESISTOR	10kΩ,1/16W	C1604			NCB31EK-103X	CAPACITOR	0.01μF,25V
R7128			NRVA63D-103X	CMF RESISTOR	10kΩ,1/16W	C1605			NCB31EK-103X	CAPACITOR	0.01μF,25V
R7129			NRVA63D-103X	CMF RESISTOR	10kΩ,1/16W	C1606			NCB21EK-104X	CAPACITOR	0.1μF,25V
R7130			NRVA63D-103X	CMF RESISTOR	10kΩ,1/16W	C1607			NCB21CK-474X	CAPACITOR	0.47μF,16V
R7131			NRVA63D-103X	CMF RESISTOR	10kΩ,1/16W	C1608			NCB31HK-332X	CAPACITOR	0.0033μF,50V
R7132			NRVA63D-103X	CMF RESISTOR	10kΩ,1/16W	C1609			NBE20JM-106X	T CAPACITOR	10μF,6.3V
R7135			NRSA63J-0R0X	MG RESISTOR	0Ω,1/16W	C1610			NCB31HK-681X	CAPACITOR	680pF,50V
R7141			NRSA63J-0R0X	MG RESISTOR	0Ω,1/16W	C1611			NCB31CK-104X	CAPACITOR	0.1μF,16V
R7301			NRVA63D-182X	CMF RESISTOR	1.8kΩ,1/16W	C1612			NCB21CK-105X	CAPACITOR	1μF,16V
R7305			NRVA63D-821X	CMF RESISTOR	820Ω,1/16W	C1613			NCB31CK-333X	CAPACITOR	0.033μF,16V
R7331			NRSA63J-103X	MG RESISTOR	10kΩ,1/16W	C1614			NCB31CK-104X	CAPACITOR	0.1μF,16V
R7332			NRSA63J-152X	MG RESISTOR	1.5kΩ,1/16W	C1615			NCB31CK-104X	CAPACITOR	0.1μF,16V
R7333			NRSA63J-473X	MG RESISTOR	47kΩ,1/16W	C1616			NCB31CK-104X	CAPACITOR	0.1μF,16V
RA101			NRZ0038-222X	NETWORK RESISTOR	2.2kΩ	C1617			NCB31CK-104X	CAPACITOR	0.1μF,16V
RA102			NRZ0038-222X	NETWORK RESISTOR	2.2kΩ	C1618			NCB31CK-104X	CAPACITOR	0.1μF,16V
RA103			NRZ0038-222X	NETWORK RESISTOR	2.2kΩ	C1619			NCB31CK-104X	CAPACITOR	0.1μF,16V
RA104			NRZ0038-222X	NETWORK RESISTOR	2.2kΩ	C1620			NBE21AM-106X	T CAPACITOR	10μF,10V
RA106			NRZ0038-331X	NETWORK RESISTOR	330Ω	C1621			NBP41CM-106X	T CAPACITOR	10μF,16V
RA107			NRZ0038-222X	NETWORK RESISTOR	2.2kΩ	C1625			NCB31CK-104X	CAPACITOR	0.1μF,16V
RA108			NRZ0038-222X	NETWORK RESISTOR	2.2kΩ	C1628			NDC31HJ-101X	CAPACITOR	100pF,50V
RA109			NRZ0038-474X	NETWORK RESISTOR	470kΩ	C1630			NBE20JM-106X	T CAPACITOR	10μF,6.3V
RA110			NRZ0038-474X	NETWORK RESISTOR	470kΩ	C2001			NBE20JM-106X	T CAPACITOR	10μF,6.3V
RA111			NRZ0038-474X	NETWORK RESISTOR	470kΩ	C2002			NFV41HJ-183X	MPPS CAPACITOR	0.018μF,50V
RA112			NRZ0038-104X	NETWORK RESISTOR	100kΩ	C2003			NDC31HJ-331X	CAPACITOR	330pF,50V
RA6020			NRZ0038-102X	NETWORK RESISTOR	1kΩ	C2004			NBE20JM-226X	T CAPACITOR	22μF,6.3V
C103			NBE20JM-106X	T CAPACITOR	10μF,6.3V	C2005			NCB21CK-105X	CAPACITOR	1μF,16V
C104			NCB31EK-103X	CAPACITOR	0.01μF,25V	C2021			NCB31EK-103X	CAPACITOR	0.01μF,25V
C105			NCB21CK-224X	CAPACITOR	0.22μF,16V	C2022			NBE20JM-156X	T CAPACITOR	15μF,6.3V
C107			NCB31EK-103X	CAPACITOR	0.01μF,25V	C2023			NBP21CM-105X	T CAPACITOR	1μF,16V
C108			NBE21AM-225X	T CAPACITOR	2.2μF,10V	C2024			NCB31HK-102X	CAPACITOR	0.001μF,50V
C109			NBE20JM-106X	T CAPACITOR	10μF,6.3V	C2025			NCB21CK-105X	CAPACITOR	1μF,16V
C110			NDC31HJ-101X	CAPACITOR	100pF,50V	C2026			NCB31HK-222X	CAPACITOR	0.0022μF,50V

#	△ REF No.	PART No.	PART NAME, DESCRIPTION	#	△ REF No.	PART No.	PART NAME, DESCRIPTION
C2027		NCB21CK-474X	CAPACITOR 0.47μF,16V	C4038		NCF31EZ-104X	CAPACITOR 0.1μF,25V
C2028		NCB21CK-105X	CAPACITOR 1μF,16V	C4039		NCF31EZ-104X	CAPACITOR 0.1μF,25V
C2029		NCB21CK-105X	CAPACITOR 1μF,16V	C4040		NCF31EZ-104X	CAPACITOR 0.1μF,25V
C2031		NCB31CK-104X	CAPACITOR 0.1μF,16V	C4041		NCB30JK-105X	CAPACITOR,H,J 1μF,6.3V
C2032		NCB31HK-472X	CAPACITOR 0.0047μF,50V	C4042		NCB30JK-105X	CAPACITOR,H,J 1μF,6.3V
C2033		NBE20JM-475X	T CAPACITOR 4.7μF,6.3V	C4044		NCB30JK-105X	CAPACITOR,E,F,G,J,K,L 1μF,6.3V
C2034		NCB31CK-104X	CAPACITOR 0.1μF,16V	C4045		NCB30JK-105X	CAPACITOR 1μF,6.3V
C2035		NBE20JM-226X	T CAPACITOR 22μF,6.3V	C4046		NDC31HJ-221X	CAPACITOR 220pF,50V
C2036		NBE20JM-106X	T CAPACITOR 10μF,6.3V	C4047		NCF31EZ-104X	CAPACITOR 0.1μF,25V
C2038		NCB21CK-474X	CAPACITOR 0.47μF,16V	C4048		NCF31EZ-104X	CAPACITOR 0.1μF,25V
C2039		NDC31HJ-330X	CAPACITOR 33pF,50V	C4201		NEA71HM-225X	E CAPACITOR 2.2μF,50V
C2051		NCB31EK-103X	CAPACITOR 0.01μF,25V	C4202		NCF31EZ-104X	CAPACITOR 0.1μF,25V
C2071		NBE20JM-106X	T CAPACITOR 10μF,6.3V	C4203		NCB31CK-104X	CAPACITOR 0.1μF,16V
C2072		NCB31HK-222X	CAPACITOR 0.0022μF,50V	C4205		NCB31EK-103X	CAPACITOR 0.01μF,25V
C2401		NEA70GM-476X	E CAPACITOR 47μF,4.0V	C4206		NCB31CK-104X	CAPACITOR 0.1μF,16V
C2402		NCB21CK-105X	CAPACITOR 1μF,16V	C4207		NCB31EK-103X	CAPACITOR 0.01μF,25V
C2403		NBE20JM-475X	T CAPACITOR 4.7μF,6.3V	C4208		NCB31CK-104X	CAPACITOR 0.1μF,16V
C2404		NCF31EZ-104X	CAPACITOR 0.1μF,25V	C4209		NCB31CK-104X	CAPACITOR 0.1μF,16V
C3506		NCB31EK-103X	CAPACITOR 0.01μF,25V	C4210		NCF21CZ-105X	CAPACITOR 1μF,16V
C3507		NCB31EK-103X	CAPACITOR 0.01μF,25V	C4251		NEA71HM-335X	E CAPACITOR 3.3μF,50V
C3508		NCB31EK-103X	CAPACITOR 0.01μF,25V	C4252		NCB31CK-104X	CAPACITOR 0.1μF,16V
C3509		NDC31HJ-221X	CAPACITOR 220pF,50V	C4253		NCB31EK-153X	CAPACITOR 0.015μF,25V
C3510		NCB31CK-104X	CAPACITOR 0.1μF,16V	C4254		NCB31EK-153X	CAPACITOR 0.015μF,25V
C3512		NCB10JK-106X	CAPACITOR 10μF,6.3V	C4256		NEA71CM-106X	E CAPACITOR 10μF,16V
C3513		NCB31CK-223X	CAPACITOR 0.022μF,16V	C4504		NCF31EZ-104X	CAPACITOR 0.1μF,25V
C3514		NCB30JK-105X	CAPACITOR 1μF,6.3V	C4505		NDC31HJ-330X	CAPACITOR 33pF,50V
C3515		NCB31EK-103X	CAPACITOR 0.01μF,25V	C4506		NCB31HK-102X	CAPACITOR 0.001μF,50V
C3516		NDC31HJ-100X	CAPACITOR 10pF,50V	C4507		NCB31HK-102X	CAPACITOR 0.001μF,50V
C3902		NCB31EK-103X	CAPACITOR 0.01μF,25V	C4508		NCB31HK-102X	CAPACITOR 0.001μF,50V
C3903		NDC31HJ-3R0X	CAPACITOR 3pF,50V	C4509		NCB31HK-102X	CAPACITOR 0.001μF,50V
C4002		NCF31EZ-104X	CAPACITOR 0.1μF,25V	C4510		NCB31CK-104X	CAPACITOR 0.1μF,16V
C4003		NCF31EZ-104X	CAPACITOR 0.1μF,25V	C4511		NCF31EZ-104X	CAPACITOR 0.1μF,25V
C4004		NCF31EZ-104X	CAPACITOR 0.1μF,25V	C4512		NEA71CM-107X	E CAPACITOR 100μF,16V
C4005		NCF31EZ-104X	CAPACITOR 0.1μF,25V	C4702		NDC31HJ-270X	CAPACITOR 27pF,50V
C4007		NCF31EZ-104X	CAPACITOR 0.1μF,25V	C4703		NDC31HJ-150X	CAPACITOR 15pF,50V
C4008		NCF31EZ-104X	CAPACITOR 0.1μF,25V	C4704		NCB30JK-105X	CAPACITOR 1μF,6.3V
C4009		NDC31HG-100X	CAPACITOR 10pF,50V	C4705		NCB31EK-103X	CAPACITOR 0.01μF,25V
C4010		NDC31HG-100X	CAPACITOR 10pF,50V	C4706		NEA70GM-107X	E CAPACITOR 100μF,4.0V
C4012		NCF31EZ-104X	CAPACITOR 0.1μF,25V	C4707		NEA70JM-226X	E CAPACITOR 22μF,6.3V
C4013		NCF31EZ-104X	CAPACITOR 0.1μF,25V	C4708		NCF31EZ-104X	CAPACITOR 0.1μF,25V
C4014		NCB31CK-104X	CAPACITOR 0.1μF,16V	C4709		NBE20JM-106X	T CAPACITOR 10μF,6.3V
C4015		NCF31EZ-104X	CAPACITOR 0.1μF,25V	C4713		NEA70JM-226X	E CAPACITOR,E,F,G,H,J,K,L 22μF,6.3V
C4016		NCB31CK-104X	CAPACITOR 0.1μF,16V	C4714		NEA70GM-107X	E CAPACITOR,E,F,G,H,J,K,L 100μF,4.0V
C4017		NCF31EZ-104X	CAPACITOR 0.1μF,25V	C4715		NCB31EK-103X	CAPACITOR,E,F,G,H,J,K,L 0.01μF,25V
C4018		NCF31EZ-104X	CAPACITOR 0.1μF,25V	C4716		NDC31HJ-270X	CAPACITOR 27pF,50V
C4019		NCF31EZ-104X	CAPACITOR 0.1μF,25V	C4717		NDC31HJ-150X	CAPACITOR 15pF,50V
C4020		NCB31CK-104X	CAPACITOR 0.1μF,16V	C5203		NCB10JK-106X	CAPACITOR 10μF,6.3V
C4021		NCF31EZ-104X	CAPACITOR 0.1μF,25V	C5207		NCB31EK-103X	CAPACITOR 0.01μF,25V
C4023		NCF31EZ-104X	CAPACITOR 0.1μF,25V	C5208		NCB31EK-103X	CAPACITOR 0.01μF,25V
C4024		NCF31EZ-104X	CAPACITOR,E,F,G,H,J,K,L 0.1μF,25V	C5209		NCB31EK-103X	CAPACITOR 0.01μF,25V
C4025		NCB31CK-104X	CAPACITOR,E,F,G,H,J,K,L 0.1μF,16V	C5210		NCF31EZ-104X	CAPACITOR 0.1μF,25V
C4026		NCB10JK-106X	CAPACITOR 10μF,6.3V	C5211		NCB21CK-105X	CAPACITOR 1μF,16V
C4027		NCF31EZ-104X	CAPACITOR 0.1μF,25V	C5212		NCB21CK-105X	CAPACITOR 1μF,16V
C4028		NCF31EZ-104X	CAPACITOR 0.1μF,25V	C5213		NCB31HK-332X	CAPACITOR 0.0033μF,50V
C4029		NCB31CK-104X	CAPACITOR 0.1μF,16V	C5214		NCB31EK-103X	CAPACITOR 0.01μF,25V
C4030		NCF31EZ-104X	CAPACITOR 0.1μF,25V	C5218		NCF31EZ-104X	CAPACITOR 0.1μF,25V
C4031		NCB30JK-105X	CAPACITOR 1μF,6.3V	C5219		NBP21CM-685X	T CAPACITOR 6.8μF,16V
C4032		NCF31EZ-104X	CAPACITOR 0.1μF,25V	C5221		NCB11EK-105X	CAPACITOR 1μF,25V
C4033		NCF31EZ-104X	CAPACITOR 0.1μF,25V	C5222		NCB31CK-104X	CAPACITOR 0.1μF,16V
C4034		NCF31EZ-104X	CAPACITOR 0.1μF,25V	C5223		NCF31EZ-104X	CAPACITOR 0.1μF,25V
C4035		NCF31EZ-104X	CAPACITOR 0.1μF,25V	C5225		NCF31EZ-104X	CAPACITOR 0.1μF,25V
C4036		NCF31EZ-104X	CAPACITOR 0.1μF,25V	C5227		NCB31CK-104X	CAPACITOR 0.1μF,16V
C4037		NCF31EZ-104X	CAPACITOR 0.1μF,25V	C5228		NCF31EZ-104X	CAPACITOR 0.1μF,25V

#	△	REF No.	PART No.	PART NAME, DESCRIPTION		#	△	REF No.	PART No.	PART NAME, DESCRIPTION	
C5229			NCB11EK-105X	CAPACITOR	1μF,25V	C7069			NCB31EK-103X	CAPACITOR	0.01μF,25V
C5230			NCB21EK-104X	CAPACITOR	0.1μF,25V	C7325			NBE20JM-106X	T CAPACITOR	10μF,6.3V
C5232			NDC31HJ-100X	CAPACITOR	10pF,50V	C7326			NBE20JM-106X	T CAPACITOR	10μF,6.3V
C5233			NDC31HJ-100X	CAPACITOR	10pF,50V	C7329			NDC31HJ-100X	CAPACITOR	10pF,50V
C5234			NDC31HJ-100X	CAPACITOR	10pF,50V	L101			NQL365K-220X	COIL	22μH
C5235			NDC31HJ-100X	CAPACITOR	10pF,50V	L501			NRSA63J-0R0X	MG RESISTOR,H,J	0Ω,1/16W
C5236			NDC31HJ-100X	CAPACITOR	10pF,50V	L1601			NQL144M-1R0X	COIL	1.0μH
C5237			NDC31HJ-100X	CAPACITOR	10pF,50V	L1602			NQL144K-100X	COIL	10μH
C6002			NEA71CM-106X	E CAPACITOR	10μF,16V	L2001			NQL144K-470X	COIL	47μH
C6004			NCF21CZ-105X	CAPACITOR	1μF,16V	L2003			NQL034K-470X	COIL	47μH
C6005			NCB21CK-105X	CAPACITOR	1μF,16V	L2004			NQR0403-003X	FERRITE BEAD	
C6006			NCB31EK-103X	CAPACITOR	0.01μF,25V	L2005			NRSA63J-0R0X	MG RESISTOR	0Ω,1/16W
C6007			NCB21CK-105X	CAPACITOR	1μF,16V	L2021			NQL315K-470X	COIL	47μH
C6009			NDC31HJ-101X	CAPACITOR	100pF,50V	L2022			NQR0403-003X	FERRITE BEAD	
C6010			NCB21CK-224X	CAPACITOR	0.22μF,16V	L2023			NQR0406-003X	FERRITE BEAD	
C6011			NCB31EK-103X	CAPACITOR	0.01μF,25V	L2051			NRSA63J-0R0X	MG RESISTOR	0Ω,1/16W
C6012			NCB21CK-224X	CAPACITOR	0.22μF,16V	L2052			NRSA63J-0R0X	MG RESISTOR	0Ω,1/16W
C6013			NCB21CK-154X	CAPACITOR	0.15μF,16V	L2071			NRSA63J-0R0X	MG RESISTOR	0Ω,1/16W
C6014			NCB31CK-104X	CAPACITOR	0.1μF,16V	L2072			NRSA63J-0R0X	MG RESISTOR	0Ω,1/16W
C6015			NCB31CK-104X	CAPACITOR	0.1μF,16V	L2401			NQL315K-470X	COIL	47μH
C6016			NCB31EK-473X	CAPACITOR	0.047μF,25V	L3502			NQL365K-220X	COIL	22μH
C6017			NCF21CZ-105X	CAPACITOR	1μF,16V	L3503			NQL085J-5R6X	COIL	5.6μH
C6018			NCB21CK-224X	CAPACITOR	0.22μF,16V	L4001			NQL365K-220X	COIL	22μH
C6020			NCB21CK-224X	CAPACITOR	0.22μF,16V	L4201			NQR0006-001X	FERRITE BEAD	
C6021			NCB31EK-103X	CAPACITOR	0.01μF,25V	L4501			NQR0006-001X	FERRITE BEAD	
C6101			NCB21CK-105X	CAPACITOR	1μF,16V	L4502			NQL034K-220X	COIL	22μH
C6102			NCB10JK-106X	CAPACITOR	10μF,6.3V	L4701			NQL365K-220X	COIL	22μH
C6105			NCB31HK-681X	CAPACITOR	680pF,50V	L5201			NQL315K-470X	COIL	47μH
C6110			NCB31HK-152X	CAPACITOR	0.0015μF,50V	L5202			NQL365K-220X	COIL	22μH
C6201			NCB21CK-105X	CAPACITOR	1μF,16V	L5203			NQL365K-220X	COIL	22μH
C6202			NCB10JK-106X	CAPACITOR	10μF,6.3V	L6001			NQL62EM-100X	COIL	10μH
C6203			NBE40JM-476X	T CAPACITOR	47μF,6.3V	L6002			NQL62EM-100X	COIL	10μH
C6205			NCB31HK-472X	CAPACITOR	0.0047μF,50V	L6101			NQL64EM-330X	COIL	33μH
C6210			NCB31HK-472X	CAPACITOR	0.0047μF,50V	L6201			NQL64EM-470X	COIL	47μH
C6301			NCB11CK-225X	CAPACITOR	2.2μF,16V	L6301			NQL52EM-220X	COIL	22μH
C6302			NCB10JK-106X	CAPACITOR	10μF,6.3V	L6302			NQR0006-001X	FERRITE BEAD	
C6303			NBE40JM-476X	T CAPACITOR	47μF,6.3V	L6401			NQLZ011-470X	COIL	47μH
C6305			NCB31HK-561X	CAPACITOR	560pF,50V	L6501			NQLZ011-470X	COIL	47μH
C6307			NEA71CM-106X	E CAPACITOR,E,F,G,J,K,L	10μF,16V	L6601			NQL52EM-221X	COIL	220μH
C6310			NCB31HK-102X	CAPACITOR	0.001μF,50V	L6701			NQL52EM-100X	COIL	10μH
C6401			NCB21CK-105X	CAPACITOR	1μF,16V	L7005			NQL365K-220X	COIL	22μH
C6402			NCF21CZ-105X	CAPACITOR	1μF,16V	L7006			NQL365K-220X	COIL	22μH
C6501			NCB21CK-105X	CAPACITOR	1μF,16V	L7304			NQL144K-100X	COIL	10μH
C6502			NCF21CZ-105X	CAPACITOR	1μF,16V	X101			NAX0251-001X	CRYSTAL RESONATOR	
C6602			NCF21CZ-105X	CAPACITOR	1μF,16V	X102			NAX0325-001X	CRYSTAL RESONATOR	
C6603			NCB11EK-105X	CAPACITOR	1μF,25V	X4001			QAX0708-001	CRYSTAL RESONATOR	
C6606			NCB11EK-105X	CAPACITOR	1μF,25V	WR1			WJV0039-001A	E-PRIMARY WIRE,JP2001/2002-JP2003/2004	
C6607			NCF21CZ-105X	CAPACITOR	1μF,16V	△ J101			QAB0050-001	LI BATTERY	
C6610			NCB31EK-103X	CAPACITOR	0.01μF,25V	J504			LY31356-002A	JACK UNIT	
C6616			NCB21CK-105X	CAPACITOR	1μF,16V	J505			QND0068-001	S JACK,E,F,G,H,J,K,L	
C6701			NCB21CK-105X	CAPACITOR	1μF,16V	CN1			QGF0508F1-10X	FPC CONNECTOR	
C6702			NCB41CK-106X	CAPACITOR	10μF,16V	CN2			QGF0508F1-14X	FPC CONNECTOR	
C6711			NCB31HK-472X	CAPACITOR	0.0047μF,50V	CN3			QGF0505F2-18X	FPC CONNECTOR	
C6801			NCF21CZ-105X	CAPACITOR	1μF,16V	CN4			QGA1201F2-02X	CONNECTOR	
C6802			NCF21CZ-105X	CAPACITOR	1μF,16V	CN5			QGF0508F1-11X	FPC CONNECTOR	
C6811			NCB21CK-105X	CAPACITOR	1μF,16V	CN6			QGA1201C2-02X	CONNECTOR,E,F,G,J,K,L	
C7051			NCB31EK-103X	CAPACITOR	0.01μF,25V	CN7			QGF0508F1-11X	FPC CONNECTOR	
C7052			NBE20JM-106X	T CAPACITOR	10μF,6.3V	CN8			QGA1201C2-02X	CONNECTOR	
C7053			NCB31EK-103X	CAPACITOR	0.01μF,25V	CN12			QGA1201F2-03X	CONNECTOR	
C7054			NBP41EM-475X	T CAPACITOR	4.7μF,25V	CN13			QGF0507F3-14X	FFC/FPC CONNECTOR,H,J	
C7064			NCB11EK-105X	CAPACITOR	1μF,25V	CN15			QGF0507F4-14X	FFC/FPC CONNECTOR,A,B,C,D,E,F,G,K,L	
C7065			NCB11EK-105X	CAPACITOR	1μF,25V	CN16			QGF0507F3-22X	FFC/FPC CONNECTOR	
C7066			NCB11EK-105X	CAPACITOR	1μF,25V				QGF0508F1-25X	FPC CONNECTOR	

#	△ REF No.	PART No.	PART NAME, DESCRIPTION
	CN18	QGF0507F3-12X	FFC/FPC CONNECTOR,H,J
		QGF0507F4-12	FFC/FPC CONNECTOR,A,B,C,D,E,F,G,K,L
	CN22	QGF0508F1-14X	FPC CONNECTOR
	CN25	QGB0506L1-30X	CONNECTOR
	CN27	QGA1201C2-02X	CONNECTOR
	CN28	QGA1002F1-13X	CONNECTOR
△	F6001	NMFZ007-2R0X-K	FUSE T2.0A,50V
△	F6002	NMFZ007-1R25X-K	FUSE T1.2A,50V
△	F6004	NMFZ007-R40X-K	FUSE T0.4A,50V
△	F7301	NMFZ010-R50X-A	FUSE T0.5A
	OT1	LY30016-049A	SPACER-A
	OT2	PU59915-105	#500SPACER0.01
	SD1	LY43421-001A	SHIELD PLATE

CCD BOARD ASSEMBLY <02>

PW2	YB10356A2-01	CCD BOARD ASSY	
Q5301	2SC3931/CD/-X	TRANSISTOR	
	or 2SC4774/RS/-X	TRANSISTOR	
R5301	NRSA63J-105X	MG RESISTOR	1MΩ,1/16W
R5302	NRSA63J-562X	MG RESISTOR	5.6kΩ,1/16W
C5301	NCF31EZ-104X	CAPACITOR	0.1μF,25V
C5302	NBP21EM-155X	T CAPACITOR	1.5μF,25V
C5303	NCB31HK-152X	CAPACITOR	0.0015μF,50V
C5304	NCF31EZ-104X	CAPACITOR	0.1μF,25V
C5305	NDC31HJ-270X	CAPACITOR	27pF,50V
CN5301	QGF0505F1-14X	FPC CONNECTOR	

MONITOR BOARD ASSEMBLY <07>

PW	YB20913A	MONITOR BOARD ASSY	
IC7601	MN5814	IC	
IC7602	BA4558F	IC	
IC7603	SN74AHC1G04K	IC	
Q7501	2SD1664/QR/-W	TRANSISTOR	
Q7502	2SD1664/QR/-W	TRANSISTOR	
Q7503	DTA144EE	TRANSISTOR	
	or RN2104	TRANSISTOR	
	or UN9113J	TRANSISTOR	
Q7504	DTC144EE	TRANSISTOR	
	or RN1104	TRANSISTOR	
	or UN9213J	TRANSISTOR	
Q7601	2SC4617/QR/-X	TRANSISTOR	
Q7602	2SA1774/QR/-X	TRANSISTOR	
Q7603	2SC4617/QR/-X	TRANSISTOR	
Q7604	2SA1774/QR/-X	TRANSISTOR	
Q7606	DTA144EE	TRANSISTOR	
	or RN2104	TRANSISTOR	
	or UN9113J	TRANSISTOR	
Q7607	DTC144EE	TRANSISTOR	
	or RN1104	TRANSISTOR	
	or UN9213J	TRANSISTOR	
D7601	MA365	VARI CAP DIODE	
D7602	RB471E	SB DIODE	
D7603	UDZS5.1B	ZENER DIODE	

#	△ REF No.	PART No.	PART NAME, DESCRIPTION
	R7501	NRSA63J-102X	MG RESISTOR 1kΩ,1/16W
	R7502	NRSA63J-102X	MG RESISTOR 1kΩ,1/16W
	R7503	NRSA63J-102X	MG RESISTOR 1kΩ,1/16W
	R7601	NRSA63D-103X	MG RESISTOR 10kΩ,1/16W
	R7602	NRSA63D-752X	MG RESISTOR 7.5kΩ,1/16W
	R7603	NRSA63D-333X	MG RESISTOR 33kΩ,1/16W
	R7604	NRSA63J-123X	MG RESISTOR 12kΩ,1/16W
	R7605	NRSA63J-123X	MG RESISTOR 12kΩ,1/16W
	R7606	NRSA63D-153X	MG RESISTOR 15kΩ,1/16W
	R7607	NRSA63D-822X	MG RESISTOR 8.2kΩ,1/16W
	R7608	NRSA63J-682X	MG RESISTOR 6.8kΩ,1/16W
	R7610	NRSA63J-104X	MG RESISTOR 100kΩ,1/16W
	R7611	NRSA63J-223X	MG RESISTOR 22kΩ,1/16W
	R7612	NRSA63J-474X	MG RESISTOR 470kΩ,1/16W
	R7613	NRSA63J-103X	MG RESISTOR 10kΩ,1/16W
	R7615	NRSA63J-0R0X	MG RESISTOR 0Ω,1/16W
	R7617	NRSA63J-0R0X	MG RESISTOR 0Ω,1/16W
	R7618	NRSA63J-0R0X	MG RESISTOR 0Ω,1/16W
	R7621	NRSA63J-102X	MG RESISTOR 1kΩ,1/16W
	R7624	NRSA63J-102X	MG RESISTOR 1kΩ,1/16W
	R7625	NRSA63J-0R0X	MG RESISTOR 0Ω,1/16W
	R7628	NRSA63J-470X	MG RESISTOR 47Ω,1/16W
	R7629	NRSA63J-470X	MG RESISTOR 47Ω,1/16W
	R7630	NRSA63J-470X	MG RESISTOR 47Ω,1/16W
	R7631	NRSA63J-0R0X	MG RESISTOR 0Ω,1/16W
	R7632	NRSA02J-0R0X	MG RESISTOR 0Ω,1/10W
	R7635	NRSA63J-223X	MG RESISTOR 22kΩ,1/16W
	R7636	NRSA63J-223X	MG RESISTOR 22kΩ,1/16W
	R7637	NRSA63J-223X	MG RESISTOR 22kΩ,1/16W
	R7638	NRSA63J-223X	MG RESISTOR 22kΩ,1/16W
	R7639	NRSA63J-223X	MG RESISTOR 22kΩ,1/16W
	R7640	NRSA02J-182X	MG RESISTOR 1.8kΩ,1/10W
	R7641	NRSA02J-331X	MG RESISTOR 330Ω,1/10W
	R7645	NRSA63J-682X	MG RESISTOR 6.8kΩ,1/16W
	R7646	NRSA63J-392X	MG RESISTOR 3.9kΩ,1/16W
	R7648	NRSA63J-103X	MG RESISTOR 10kΩ,1/16W
	R7650	NRSA63J-103X	MG RESISTOR 10kΩ,1/16W
	R7651	NRSA63J-0R0X	MG RESISTOR 0Ω,1/16W
	C7501	NCZ1016-120X	CAPACITOR 12pF,2kV
	C7502	NCB21EK-273X	CAPACITOR 0.027μF,25V
	C7503	NCB31EK-103X	CAPACITOR 0.01μF,25V
	C7504	NCB10JK-106X	CAPACITOR 10μF,6.3V
	C7601	NBE20JM-106X	T CAPACITOR 10μF,6.3V
	C7602	NCB31EK-103X	CAPACITOR 0.01μF,25V
	C7606	NCB31EK-103X	CAPACITOR 0.01μF,25V
	C7607	NBP41EM-475X	T CAPACITOR 4.7μF,25V
	C7608	NCB31EK-103X	CAPACITOR 0.01μF,25V
	C7609	NBP41CM-106X	T CAPACITOR 10μF,16V
	C7610	NDC31HJ-330X	CAPACITOR 33pF,50V
	C7611	NCB31EK-103X	CAPACITOR 0.01μF,25V
	C7612	NCB31EK-103X	CAPACITOR 0.01μF,25V
	C7613	NCB31EK-103X	CAPACITOR 0.01μF,25V
	C7614	NCB21CK-334X	CAPACITOR 0.33μF,16V
	C7615	NDC31HJ-331X	CAPACITOR 330pF,50V
	C7616	NDC31HJ-330X	CAPACITOR 33pF,50V
	C7617	NDC31HJ-220X	CAPACITOR 22pF,50V
	C7618	NCB31EK-103X	CAPACITOR 0.01μF,25V
	C7619	NDC31HJ-270X	CAPACITOR 27pF,50V
	C7620	NDC31HJ-270X	CAPACITOR 27pF,50V
	C7621	NCB31EK-103X	CAPACITOR 0.01μF,25V
	C7622	NCB11CK-225X	CAPACITOR 2.2μF,16V
	C7623	NCB31EK-682X	CAPACITOR 0.0068μF,25V
	C7624	NCB31EK-103X	CAPACITOR 0.01μF,25V

#	△ REF No.	PART No.	PART NAME, DESCRIPTION	#	△ REF No.	PART No.	PART NAME, DESCRIPTION
	C7625	NCB31EK-103X	CAPACITOR		C7012	QEK1HM-105Z	E CAPACITOR
	C7626	NBP41EM-475X	T CAPACITOR		C7013	NCF21HZ-104X	CAPACITOR
	C7627	NCB31EK-103X	CAPACITOR		C7014	NCF21HZ-104X	CAPACITOR
	L7501	NQLZ010-680X	COIL		C7015	QCZ0212-151	CAPACITOR
	L7502	NQL03BK-100X	COIL		C7016	PECA1006	CAPACITOR
	L7601	NQL38DK-220X	COIL		L7001	QQR0970-001	LINEARITY COIL
	L7604	NQL38DK-220X	COIL		L7002	PU49994-220	COIL
	L7605	NQL085J-4R7X	COIL		L7003	PELN1101-680JY	COIL
	T7501	NQS0056-001X	SW TRANSFORMER	△	T7001	QQH0011-002	FB TRANSF
	CN7601	QGF0503F2-25X	FFC/FPC CONNECTOR		CN7001	B4B-ZR	CAP HOUSING
	CN7602	QGF0508F1-24X	FPC CONNECTOR		CN7002	WJK0095-002A	WIRE ASSY
△	F7501	NMFZ007-R40X-K	FUSE		OT1	PU59915-105	SPACER#500,for L7001

E.VF BOARD ASSEMBLY <60>

PW	LY41289-006A	E.VF BOARD ASSY	
IC7001	BA7149F-XE	IC	
Q7001	2SD968A(RS)	PH TRANSISTOR	
Q7002	2SA1748(QR)	PH TRANSISTOR	
Q7003	2SA1748(QR)	PH TRANSISTOR	
D7001	MA142WA	DIODE	
R7002	NRSA02J-3R9X	MG RESISTOR	3.9Ω,1/10W
R7003	NRVA02D-183X	CMF RESISTOR	18kΩ,1/10W
R7005	NRSA02J-102X	MG RESISTOR	1kΩ,1/10W
R7006	NRSA02J-113X	MG RESISTOR	11kΩ,1/10W
R7007	NRSA02J-330X	MG RESISTOR	33Ω,1/10W
R7008	NRSA02J-394X	MG RESISTOR	390kΩ,1/10W
R7009	NRSA02J-103X	MG RESISTOR	10kΩ,1/10W
R7010	NRVA02D-104X	CMF RESISTOR	100kΩ,1/10W
R7011	NRSA02J-223X	MG RESISTOR	22kΩ,1/10W
R7012	NRSA02J-221X	MG RESISTOR	220Ω,1/10W
R7013	NRSA02J-102X	MG RESISTOR	1kΩ,1/10W
R7014	NRSA02J-472X	MG RESISTOR	4.7kΩ,1/10W
R7015	NRSA02J-223X	MG RESISTOR	22kΩ,1/10W
R7016	NRSA02J-122X	MG RESISTOR	1.2kΩ,1/10W
R7017	NRSA02J-472X	MG RESISTOR	4.7kΩ,1/10W
R7018	NRSA02J-223X	MG RESISTOR	22kΩ,1/10W
R7019	NRSA02J-120X	MG RESISTOR	12Ω,1/10W
R7020	NRSA02J-685X	MG RESISTOR	6.8MΩ,1/10W
R7021	NRSA02J-475X	MG RESISTOR	4.7MΩ,1/10W
R7022	NRSA02J-475X	MG RESISTOR	4.7MΩ,1/10W
R7023	NRSA02J-564X	MG RESISTOR	560kΩ,1/10W
R7024	NRSA02J-105X	MG RESISTOR	1MΩ,1/10W
R7025	NRSA02J-275X	MG RESISTOR	2.7MΩ,1/10W
R7026	NRSA02J-275X	MG RESISTOR	2.7MΩ,1/10W
VR7001	NVP0001-221X	TRIM RESISTOR,V.SIZE	
VR7002	NVP0001-225X	TRIM RESISTOR,BRIGHT	
VR7003	PERE0595-565	V RESISTOR,FOCUS	
C7001	QFV11HJ-104A	F CAPACITOR	0.1μF,50V
C7002	QEDP1AM-227	E CAPACITOR	220μF,10V
C7003	QEDP1AM-227	E CAPACITOR	220μF,10V
C7004	QEDP1AM-227	E CAPACITOR	220μF,10V
C7005	NCF21CZ-105X	CAPACITOR	1μF,16V
C7006	NCB21HK-152X	CAPACITOR	0.0015μF,50V
C7007	NCB11CK-105X	CAPACITOR	1μF,16V
C7008	NCF21CZ-105X	CAPACITOR	1μF,16V
C7009	PECA1131-A107	E CAPACITOR	100μF,10V
C7010	CM316UJ472J100A	CAPACITOR	
C7011	NDC21HJ-180X	CAPACITOR	18pF,50V